

**LIFE FITNESS IC5 / BELT DRIVE / LIMITED
EDITION**

IC-LFIC5B2-01-LE

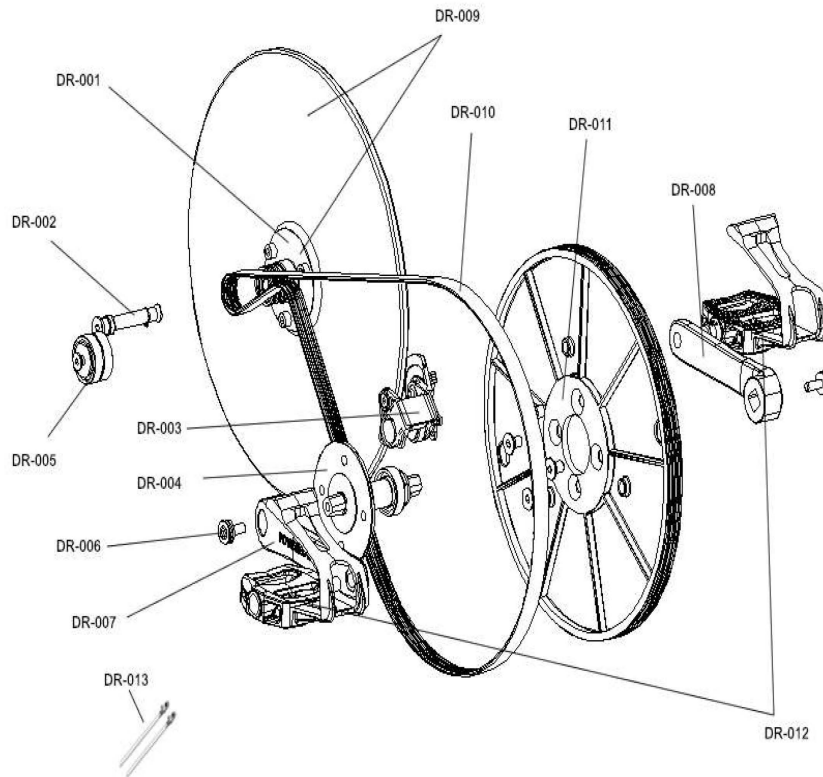
Parts Manual

8/21/2020 17:56:06 PM

Table of Contents

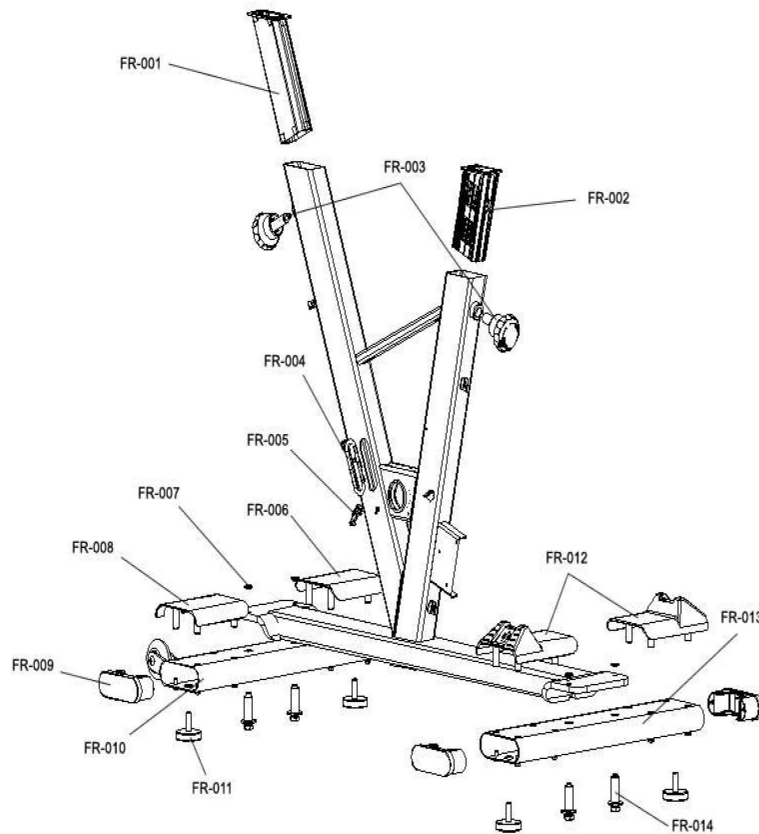
Drive.....3
Frame & Stabilizers.....4
Handlebar slider.....5
Handlebar, Stem & Brake.....6
IC5 Electronics.....7
Seatpost.....8
Shroud.....9
Stem.....10

Drive



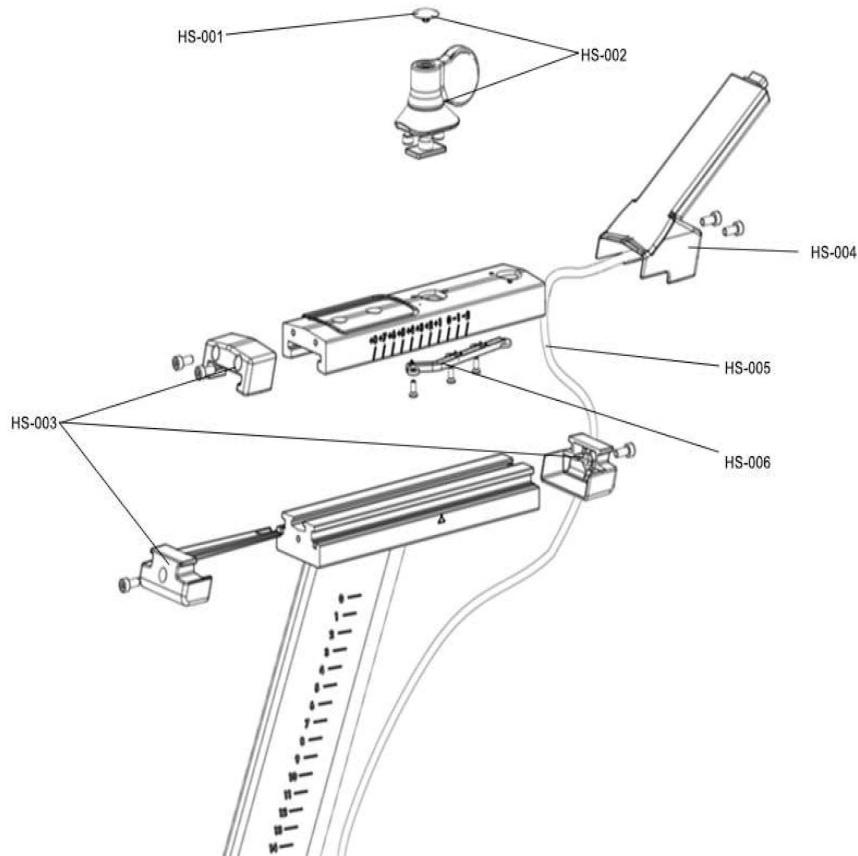
| Ref # | Part Number | Qty | Description |
|--------|-----------------|-----|---|
| DR-001 | 150-01-00064-01 | 1 | FLYWHEEL HUB ASSEMBLY FOR IC4/IC5/IC6 |
| DR-002 | 150-01-00065-01 | 1 | FLYWHEEL AXLE KIT FOR IC4/IC5/IC6 |
| DR-003 | 130-01-00017-01 | 1 | MAGNETIC BRAKE ASSEMBLY FOR IC4/IC5/IC6 |
| DR-004 | 150-01-00021-01 | 1 | BOTTOM BRACKET REPLACEMENT KIT FOR IC5 & IC7 |
| DR-005 | 150-01-00063-01 | 1 | IDLER PULLEY FOR IC4/IC5/IC6 |
| DR-006 | 900-00-90008-20 | 1 | CRANK MOUNTING BOLT, M8X20X1.25P |
| DR-007 | 150-03-00141-01 | 1 | RIGHT CRANK ARM, BLACK FOR FWS IC5 HOME |
| DR-008 | 150-03-00140-01 | 1 | LEFT CRANK ARM, BLACK FOR FWS IC5 HOME |
| DR-009 | 150-01-00091-01 | 1 | FLYWHEEL ASSEMBLY FOR FWS IC5 HOME |
| DR-010 | 150-03-00076-02 | 1 | OPTIBELT PJ8 |
| DR-011 | 150-01-00066-01 | 1 | PULLEY (8PJ) INCL. MOUNTING BOLTS IC4/IC5/IC6 |
| DR-012 | 150-01-00005-03 | 1 | COMBI PEDAL SET SPD COMPATIBLE |
| DR-013 | 150-03-00048-01 | 1 | TOE STRAP SET |

Frame & Stabilizers



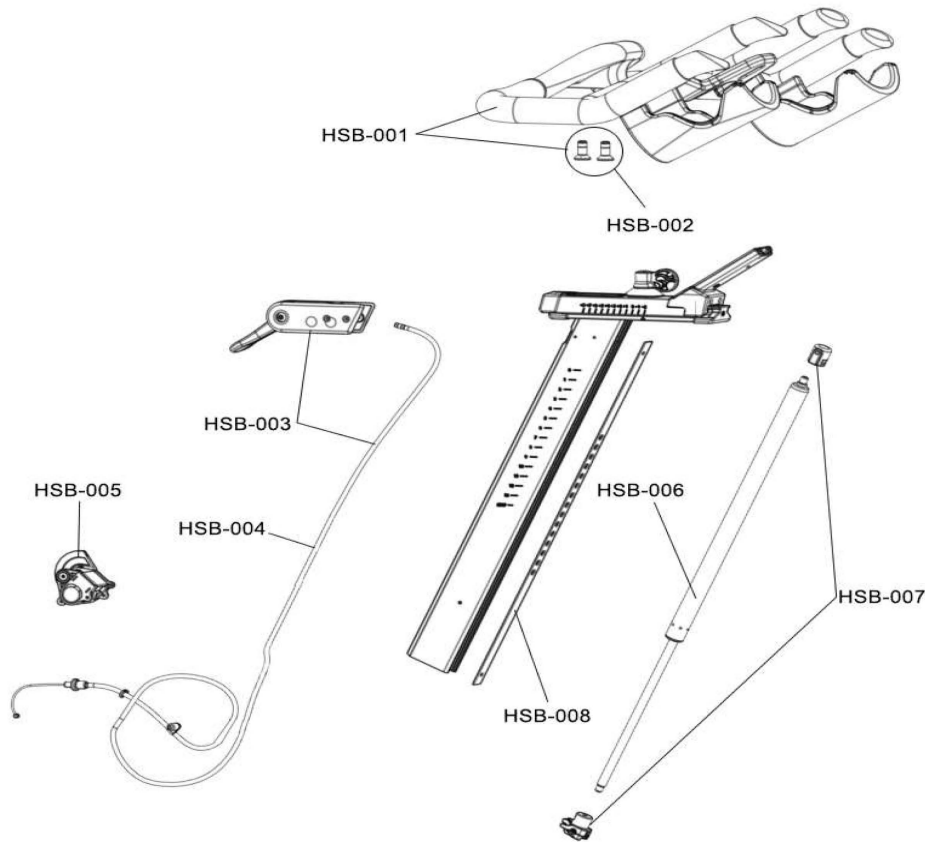
| Ref # | Part Number | Qty | Description |
|--------|-----------------|-----|---|
| FR-001 | 100-01-00010-02 | 1 | INSERT SLEEVE SET HANDLEBAR TUBE |
| FR-002 | 100-03-00094-01 | 1 | INSERT SLEEVE FOR SEATPOST TUBE |
| FR-003 | 180-01-00052-01 | 1 | POP PIN ADJUSTMENT KNOB, BLUE FOR FWS IC5 HOME |
| FR-004 | 100-03-00099-01 | 1 | CABLE GUIDE HANDLEBAR FRAME TUBE |
| FR-005 | 100-03-00057-01 | 1 | CABLE LOOP BOWDEN- AND CONSOLE CABLE IC4/IC5/IC6 |
| FR-006 | 140-01-00005-01 | 1 | FRONT STABILIZER PROTECTION PLATE KIT RIGHT IC3 & IC5 & IC7 |
| FR-007 | 190-01-00018-01 | 1 | STABILIZER BRACKET POP OUT COVER (5 PCS) IC3 & IC5 & IC7 |
| FR-008 | 140-01-00004-01 | 1 | FRONT STABILIZER PROTECTION PLATE KIT LEFT IC3 & IC5 & IC7 |
| FR-009 | 140-03-00001-01 | 1 | STABILIZER END CAP (FRONT & REAR) IC3 & IC5 & IC7 |
| FR-010 | 140-02-00003-01 | 1 | FRONT STABILIZER WELDMENT FOR IC3 |
| FR-011 | 190-01-00027-01 | 1 | LEVELING FEET RUBBER 75 SHORE (2 PCS) IC2 & IC3 & IC5 & IC7 |
| FR-012 | 140-01-00006-01 | 1 | REAR STABILIZER STRETCH PLATE KIT IC3 & IC5 & IC7 |
| FR-013 | 140-02-00002-01 | 1 | REAR STABILIZER TUBE FOR IC3 & IC5 & IC7 |
| FR-014 | 190-01-00004-01 | 1 | STABILIZER KIT (1X BOLT WASHER CAP SLEEVE) IC3 & IC5 & IC7 |

Handlebar slider



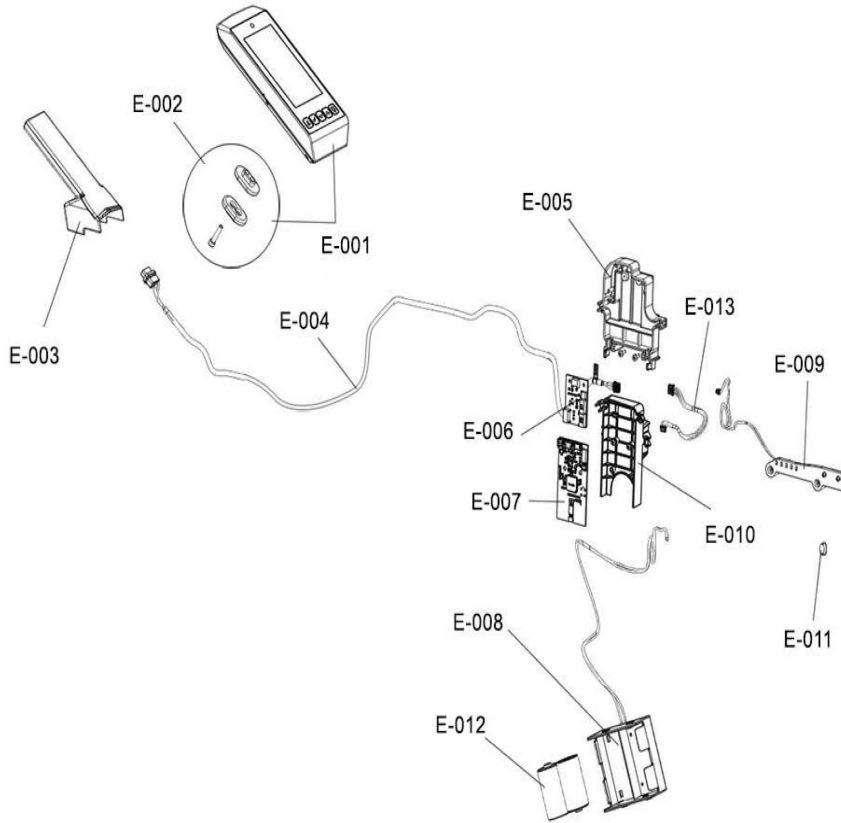
| Ref # | Part Number | Qty | Description |
|--------|-----------------|-----|---|
| HS-001 | 190-01-00046-01 | 5 | THUMB LOCK LEVER CAP HORIZONTAL ADJUST (10 PCS) IC4/IC5/IC6/IC7 |
| HS-002 | 110-01-00093-01 | 1 | THUMB LOCK HANDLE ASSEMBLY FOR HORIZONTAL HANDLEBA |
| HS-003 | 190-01-00083-01 | 1 | END CAP SET HORIZONTAL HANDLEBAR SLIDER |
| HS-004 | 190-01-00084-01 | 1 | CONSOLE BRACKET 2-PIECE PLASTIC |
| HS-005 | 170-01-00019-01 | 1 | CONSOLE CABLE INCL. MOUNTING PARTS FOR IC5/IC6 |
| HS-006 | 110-01-00011-02 | 1 | CABLE COVER KIT UPPER HORIZONTAL HBAR SLIDER IC5/IC6/IC7 |

Handlebar, Stem & Brake



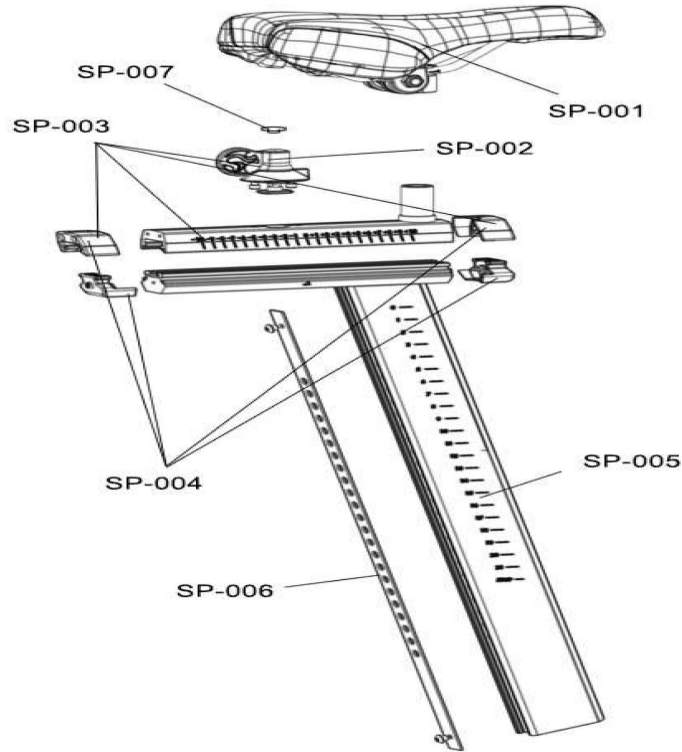
| Ref # | Part Number | Qty | Description |
|---------|-----------------|-----|---|
| HSB-001 | 110-01-00009-02 | 1 | HBAR WITH SOFT PVC COATING 30MM PITCH AND BOLTS IC5 & IC7 |
| HSB-002 | 190-01-00048-01 | 1 | HANDLEBAR MOUNTING BOLTS FOR IC4/IC5/IC6/IC7 |
| HSB-003 | 130-01-00018-01 | 1 | BRAKE HANDLE ASSEMBLY FOR IC4/IC5/IC6 |
| HSB-004 | 130-01-00019-01 | 1 | BOWDENCABLE KIT FOR BRAKE FOR IC4/IC5/IC6 |
| HSB-005 | 130-01-00017-01 | 1 | MAGNETIC BRAKE ASSEMBLY FOR IC4/IC5/IC6 |
| HSB-006 | 180-02-00029-01 | 1 | GASSPRING FOR IC4/IC5/IC6 |
| HSB-007 | 190-01-00045-01 | 1 | MOUNTINGKIT GASSPRING FOR IC4/IC5/IC6 |
| HSB-008 | 110-01-00027-01 | 1 | PROTECTION INSERT KIT VERTICAL HBAR STEM IC4/IC5/IC6 |

IC5 Electronics



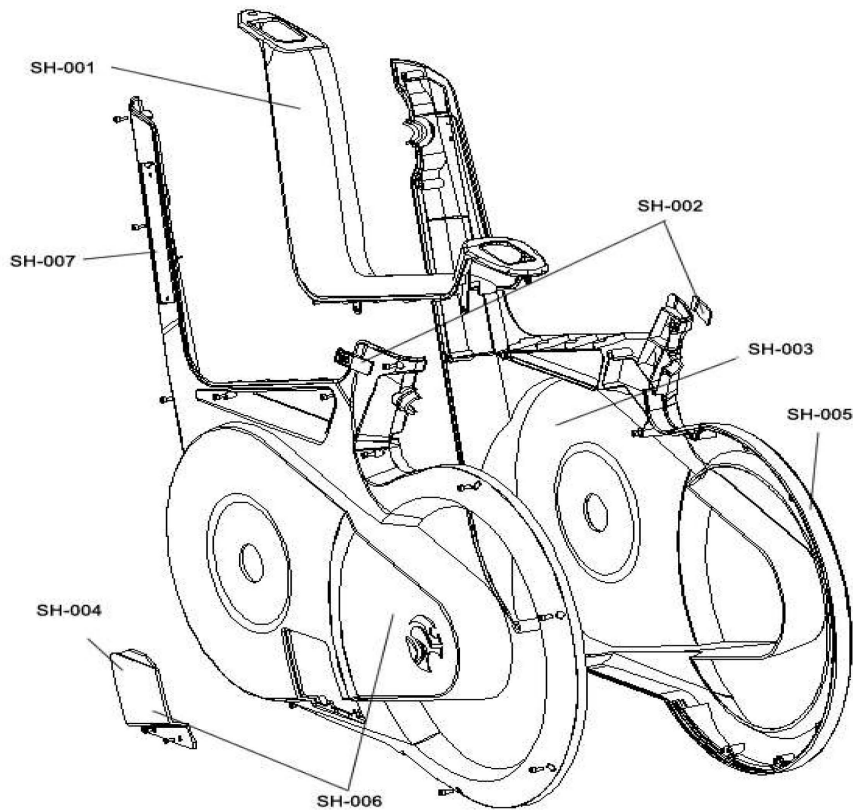
| Ref # | Part Number | Qty | Description |
|-------|-----------------|-----|---|
| E-001 | 320-00-00010-01 | 1 | ICG LCD COACH-BY-COLOR CONNECT CONSOLE KIT IC5 |
| E-002 | 190-01-00049-01 | 1 | CONSOLE MOUNTING BRACKET INCL. BOLT HBAR BRIDGE |
| E-003 | 190-01-00084-01 | 1 | CONSOLE BRACKET 2-PIECE PLASTIC |
| E-004 | 170-01-00019-01 | 1 | CONSOLE CABLE INCL. MOUNTING PARTS FOR IC5/IC6 |
| E-005 | 170-01-00021-01 | 1 | HARNESS ADAPTER BRACKET INCL. BOLTS FOR IC5 |
| E-006 | 9479801 | 1 | JUNCTION BOARD; COATED |
| E-007 | 9096801 | 1 | PCB SENSOR BOARD |
| E-008 | 170-01-00018-01 | 1 | BATTERY PACK INCL. MOUNTING BOLTS FOR IC5 |
| E-009 | 170-01-00020-01 | 1 | REED SENSOR INCL. BRACKET FOR FLYWHEEL FOR IC5 |
| E-010 | 170-01-00017-02 | 1 | GEAR MODULE BRACKET INCL. BOLTS FOR IC5/IC6 |
| E-011 | 900-11-00001-01 | 1 | MAGNET FLYWHEEL DISC - N35 - D8 X 2MM IC5/IC6 |
| E-012 | 170-01-00024-01 | 1 | BATTERY, D-CELL 2-PACK |
| E-013 | 190-01-00085-01 | 1 | HARNESS ADAPTER - GEARMODUL CABLE KIT FOR IC5 |

Seatpost



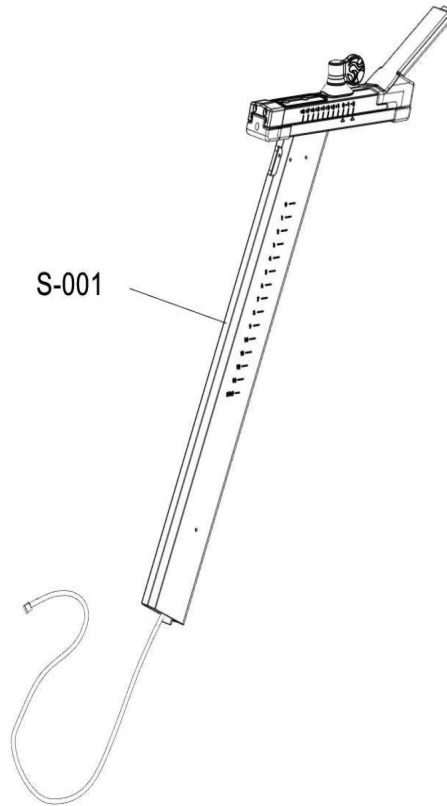
| Ref # | Part Number | Qty | Description |
|--------|-----------------|-----|---|
| SP-001 | 120-01-00015-02 | 1 | SPORT SADDLE BLACK & RED INCL. SADDLE CLAMP WITHOUT STOPPER |
| SP-002 | 120-01-00072-01 | 1 | THUMB LOCK HANDLE ASSEMBLY FOR HORIZONTAL SEATPOST |
| SP-003 | 120-01-00071-01 | 1 | Narrow Upper Seatpost Slider assembly For IC5 IC6 |
| SP-004 | 190-01-00036-02 | 1 | END CAP SET NARROW HORIZONTAL SEATPOST SLIDER FOR IC4 & IC5 & IC6 & IC7 & IC8 |
| SP-005 | 120-01-00075-01 | 1 | NARROW SEATPOST ASSEMBLY FOR IC5 SPECIAL EDITION |
| SP-006 | 120-01-00025-01 | 1 | PROTECTION INSERT KIT VERTICAL SEATPOST STEM IC4/IC5/IC6 |
| SP-007 | 190-01-00046-01 | 5 | THUMB LOCK LEVER CAP HORIZONTAL ADJUST (10 PCS) IC4/IC5/IC6/IC7 |

Shroud



| Ref # | Part Number | Qty | Description |
|--------|-----------------|-----|--|
| SH-001 | 160-01-00021-02 | 1 | TOP MAIN COVER KIT FOR IC4/IC5/IC6 |
| SH-002 | 160-01-00025-01 | 1 | DECAL IC5 - ALUMINIUM BADGE - RIGHT AND LEFT |
| SH-003 | 160-01-00086-01 | 1 | RIGHT SIDE MAIN SHROUD KIT INCL. ALUMINIUM RING FO |
| SH-004 | 160-01-00020-01 | 1 | COVER BATTERY COMPARTMENT INCL. BOLTS IC4/IC5/IC6 |
| SH-005 | 160-01-00069-01 | 1 | ALUMINIUM PROTECTION RING KIT, BLACK FWS IC5 |
| SH-006 | 160-01-00087-01 | 1 | LEFT SIDE MAIN SHROUD KIT FOR IC5 SPECIAL EDITION |
| SH-007 | 160-01-00039-01 | 2 | LIFEFITNESS, LOGO PLATE INSERT KIT, RIGHT AND LEFT FOR IC4/IC5/IC6 |

Stem



| Ref # | Part Number | Qty | Description |
|-------|-----------------|-----|--|
| S-001 | 110-01-00096-01 | 1 | UPPER HANDLEBAR SLIDER AND STEM ASSEMBLY FOR IC5 |

